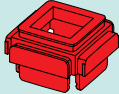


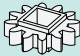
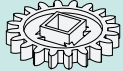
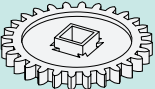
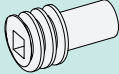



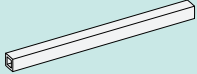
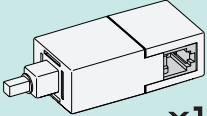
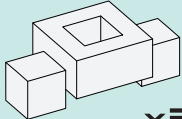

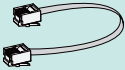
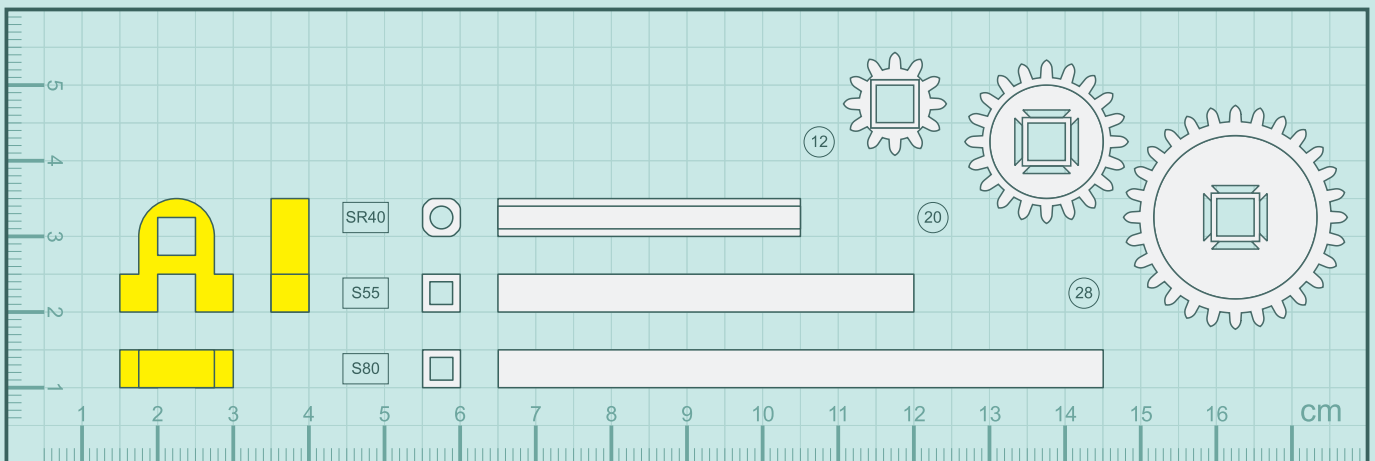
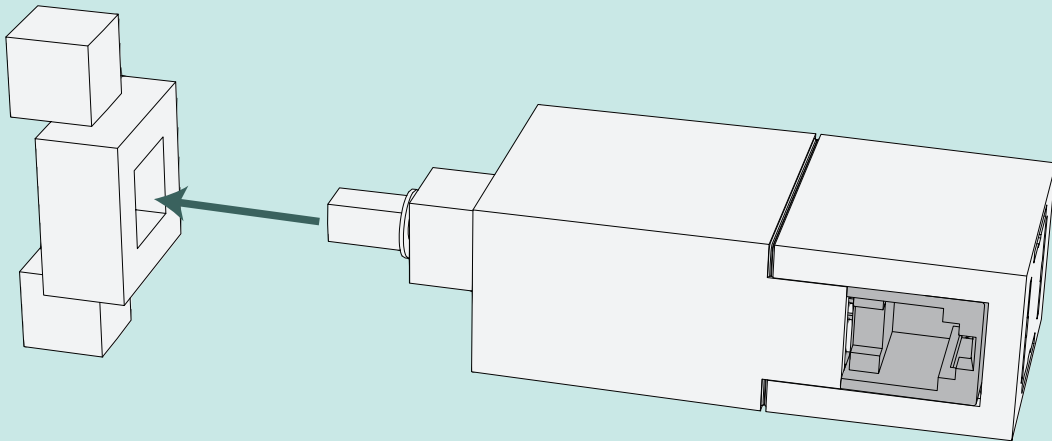
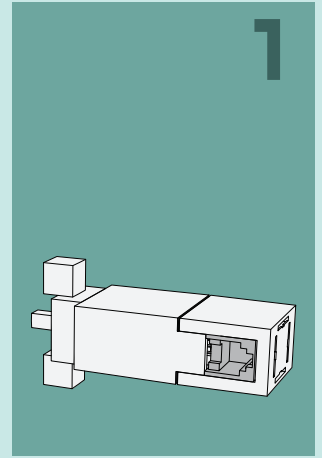
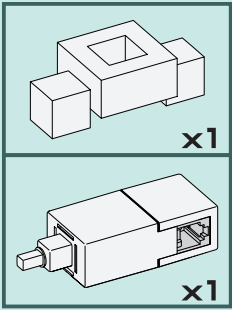
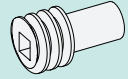
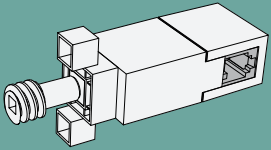
 x2	 x4	 x2	 x4	 x3	 x2
 x2	 x1	 x4	 x2	 x2	 x4
 x1	 x2	 x1	 x1		



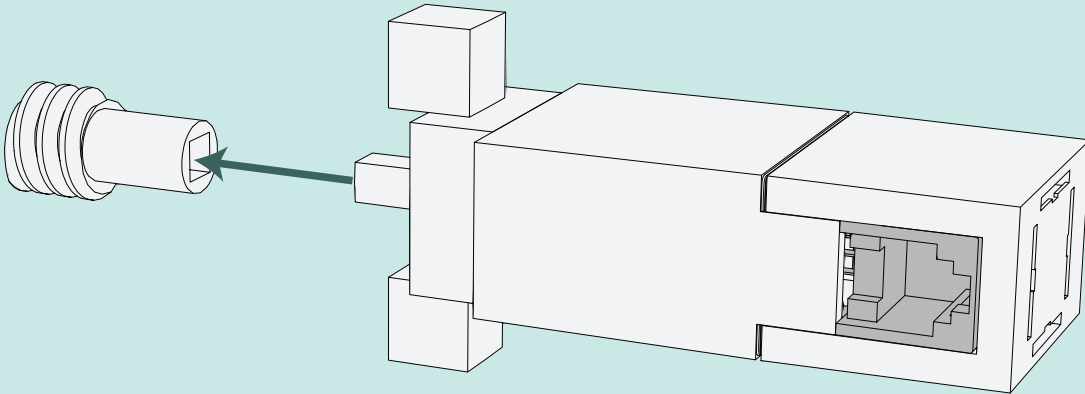
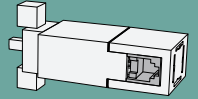


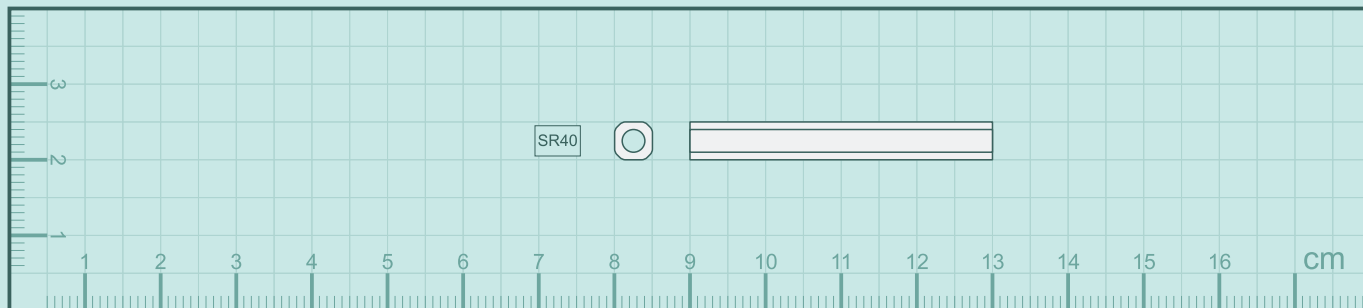
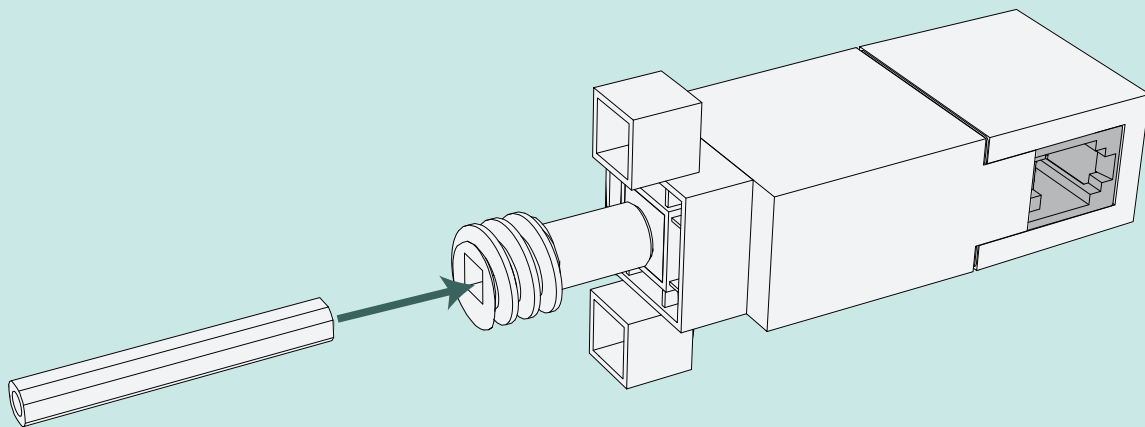
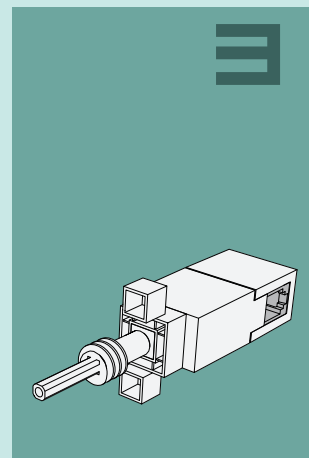
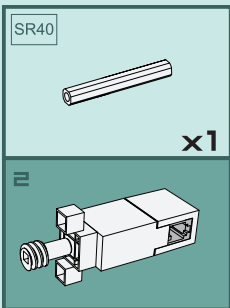
2

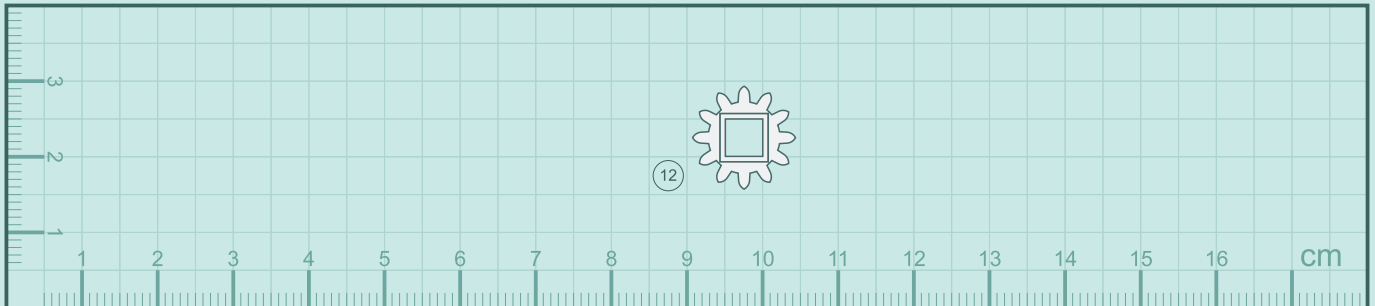
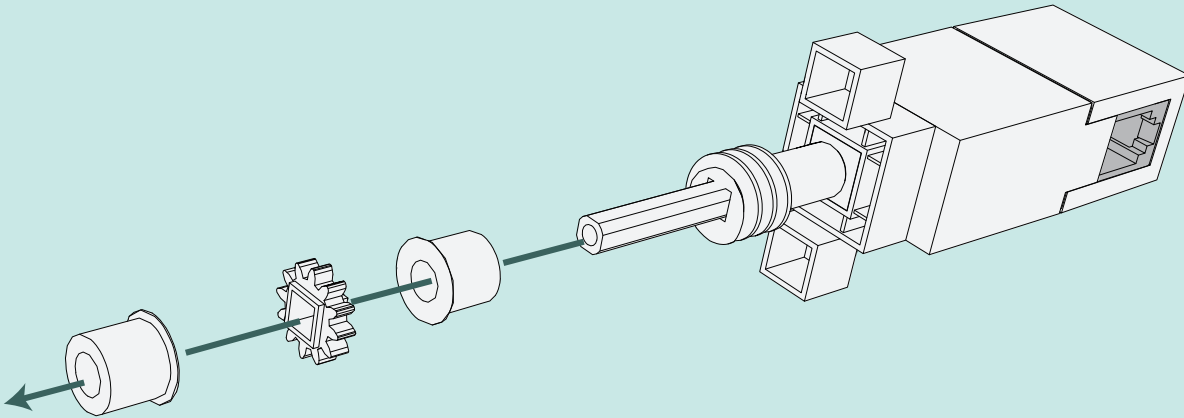
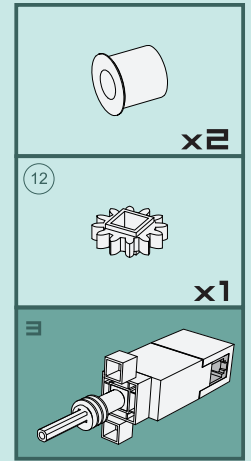
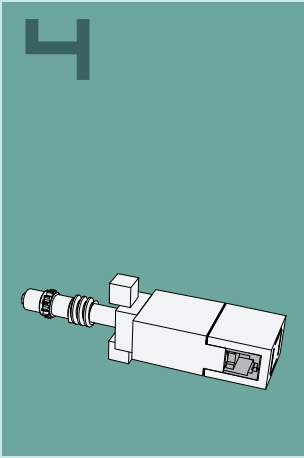


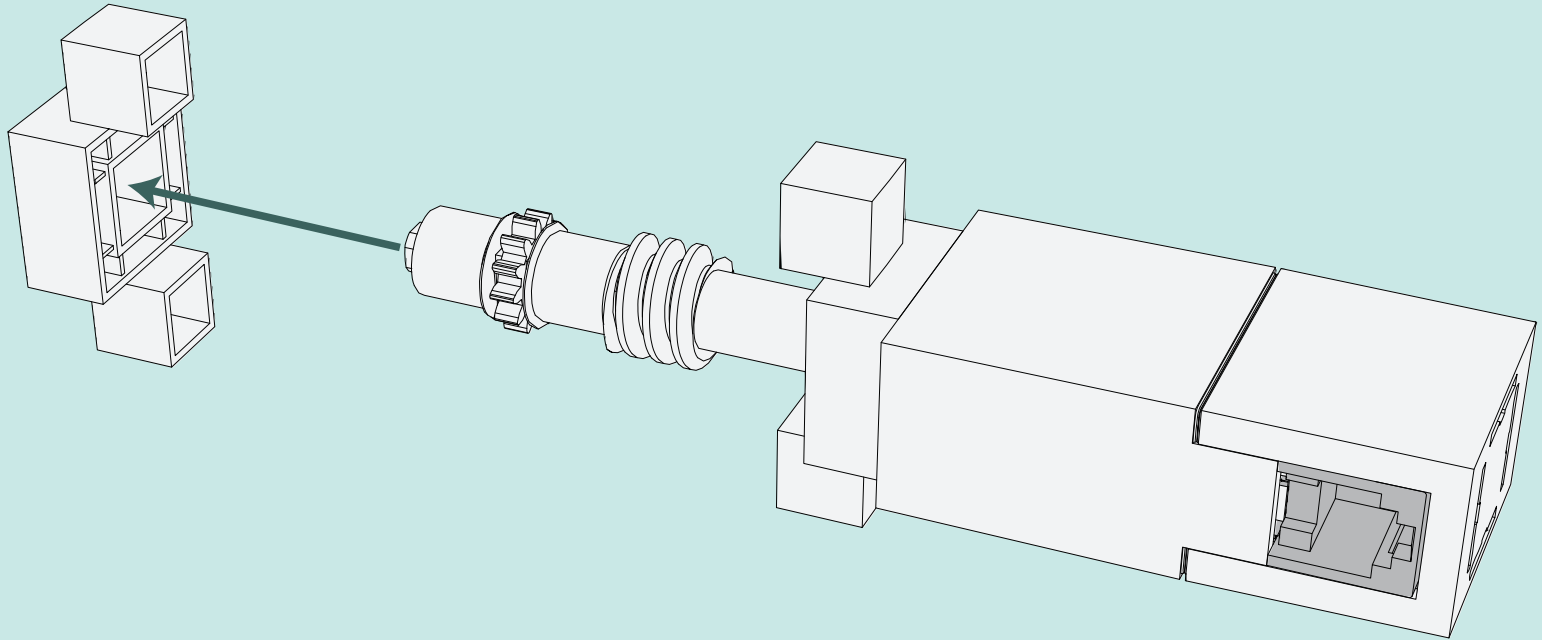
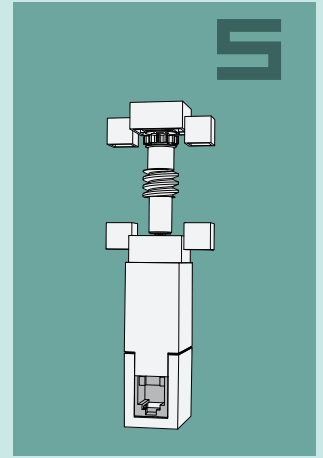
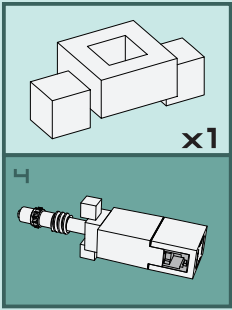
x1

1

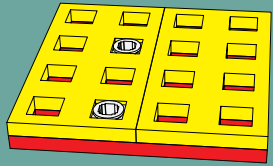








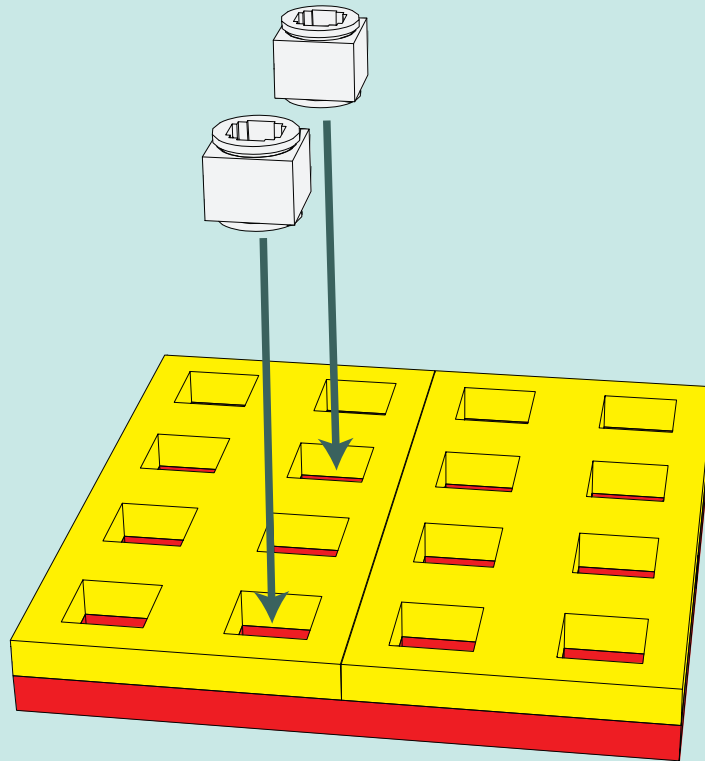
6

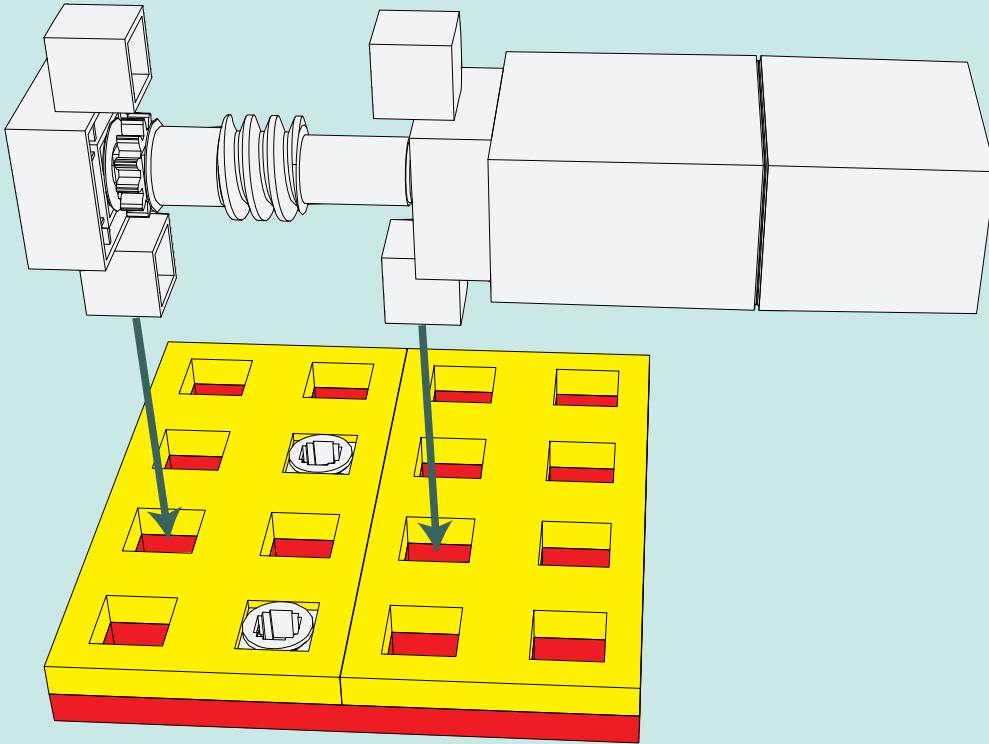
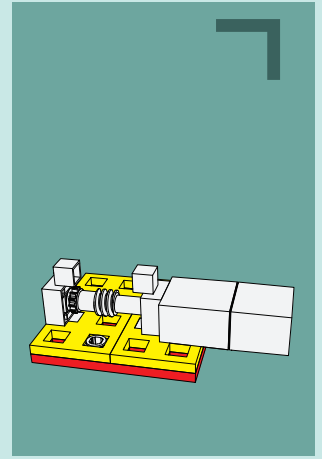
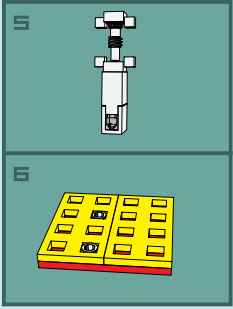


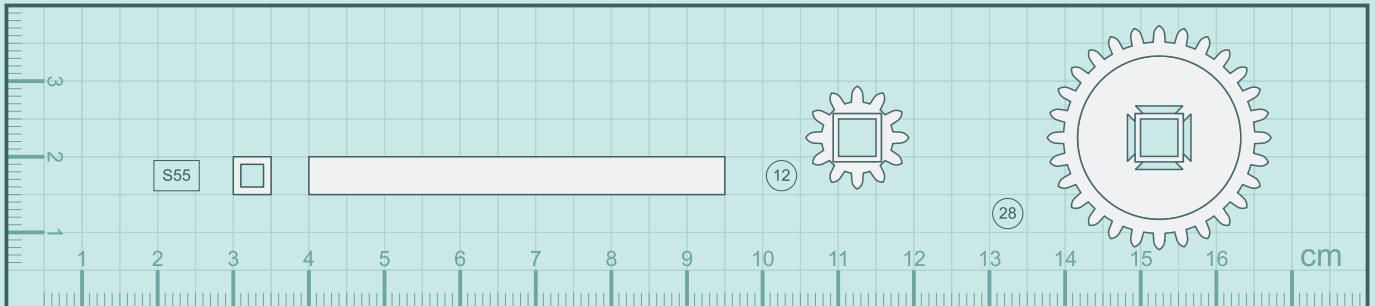
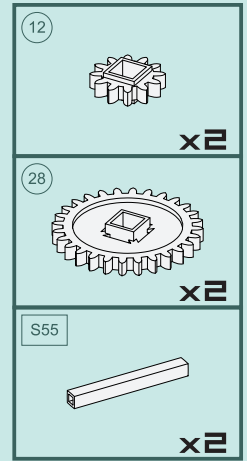
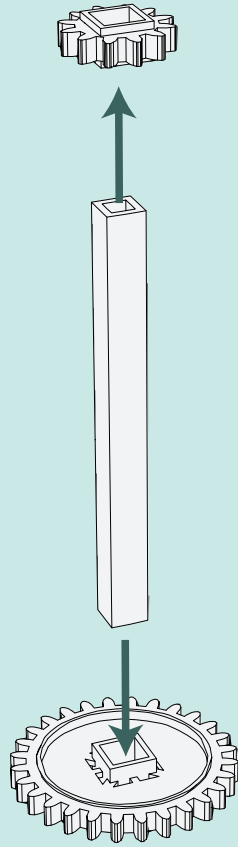
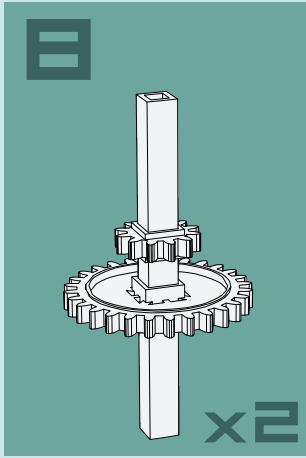
x1

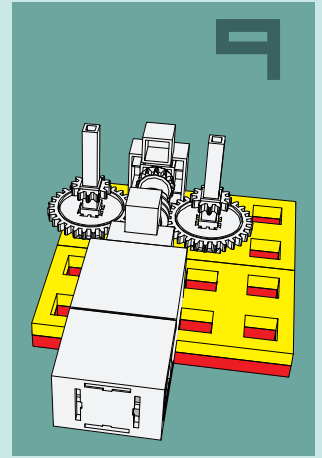
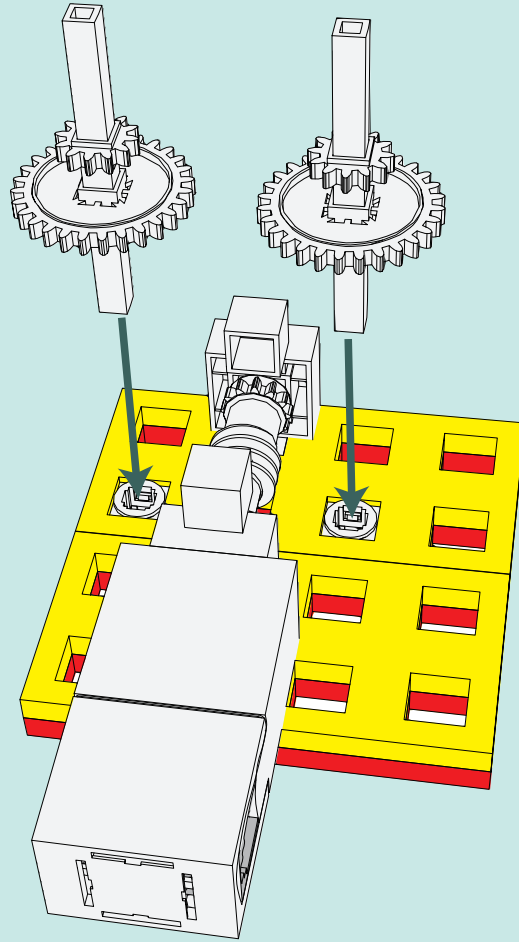
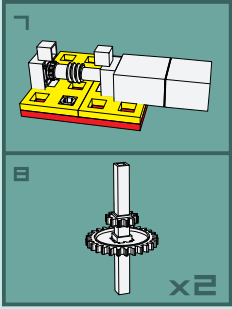


x2

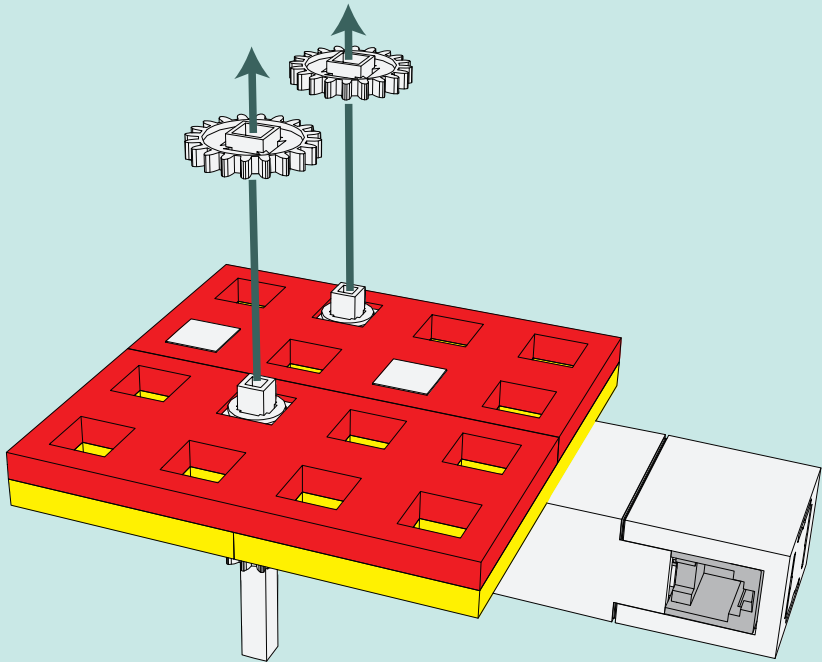
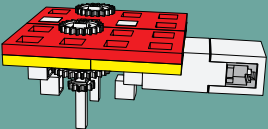




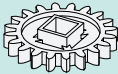




10

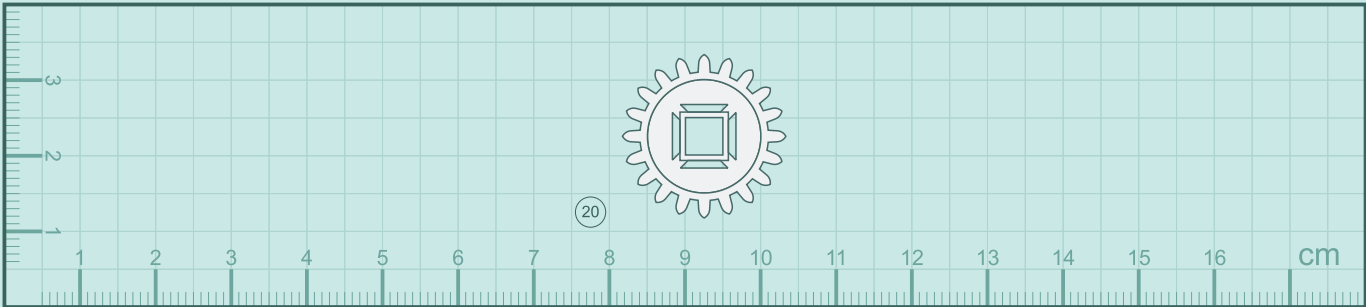
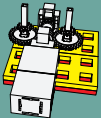


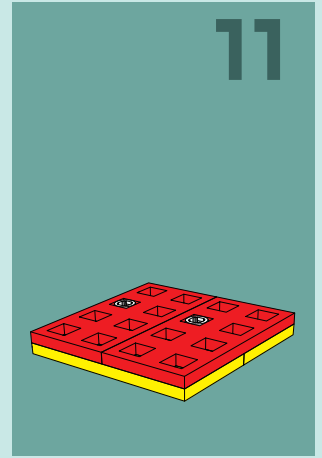
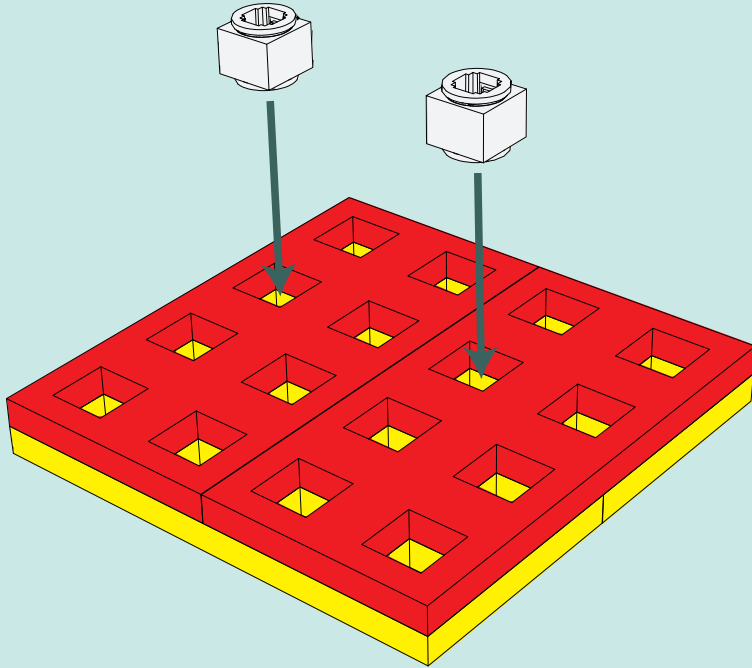
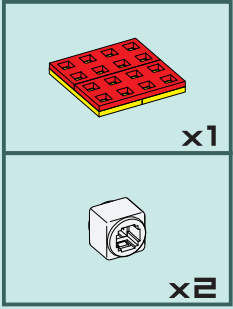
20



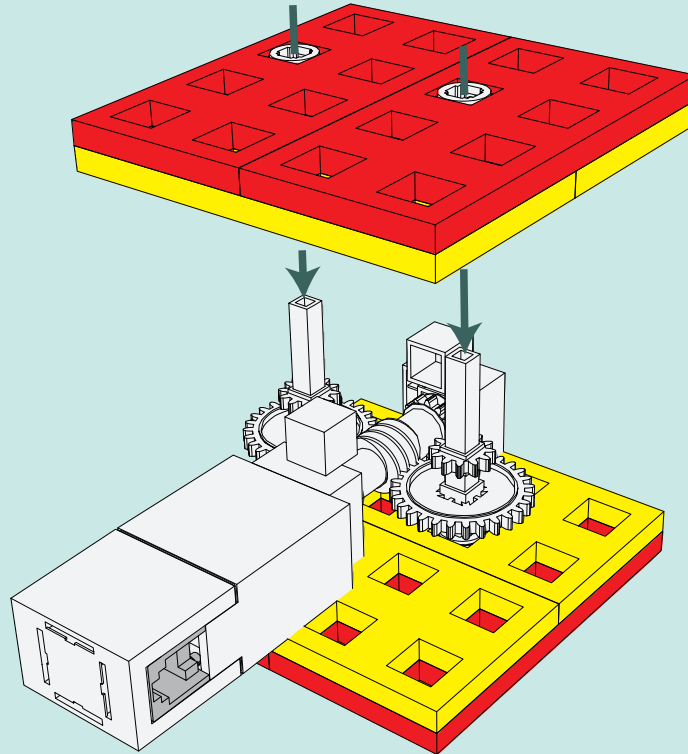
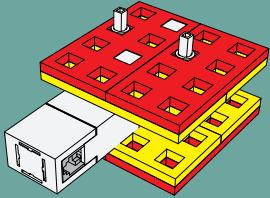
x2

9

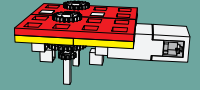




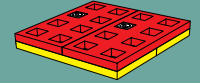
12

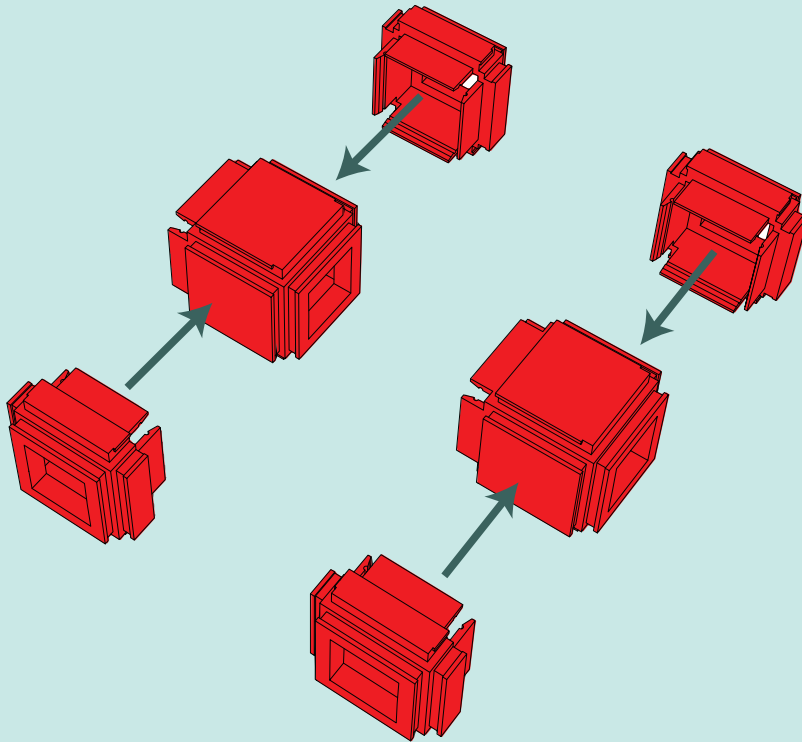
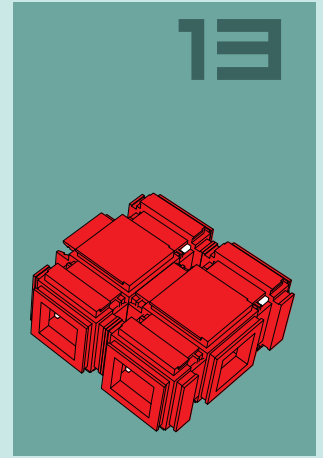
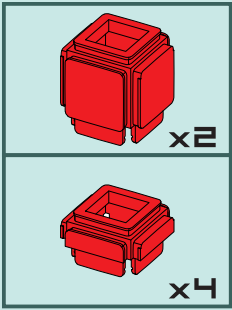


10

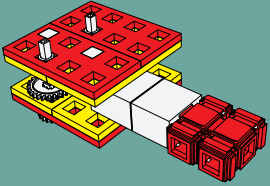


11

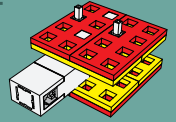




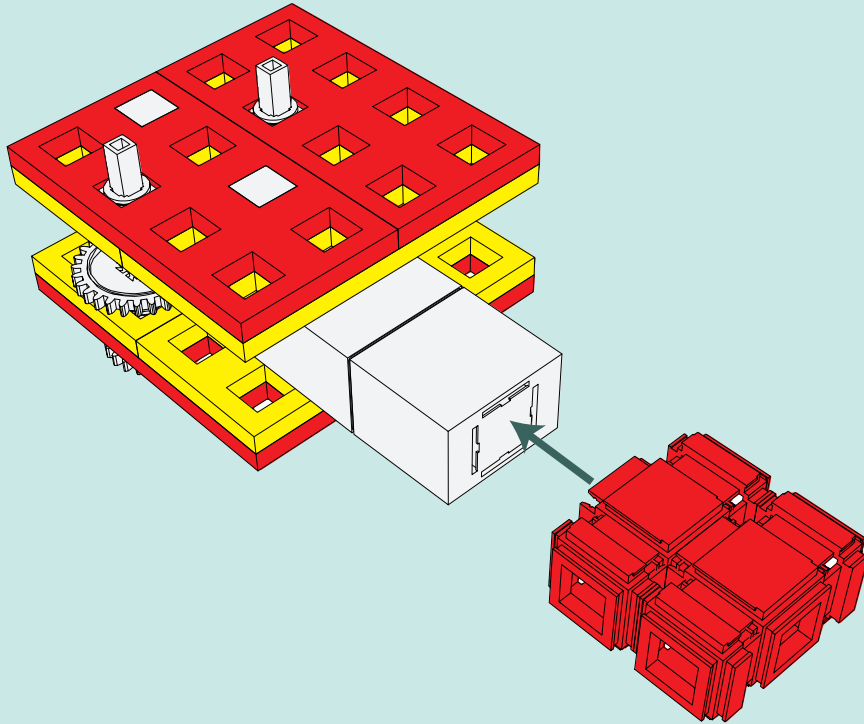
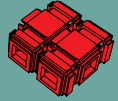
14

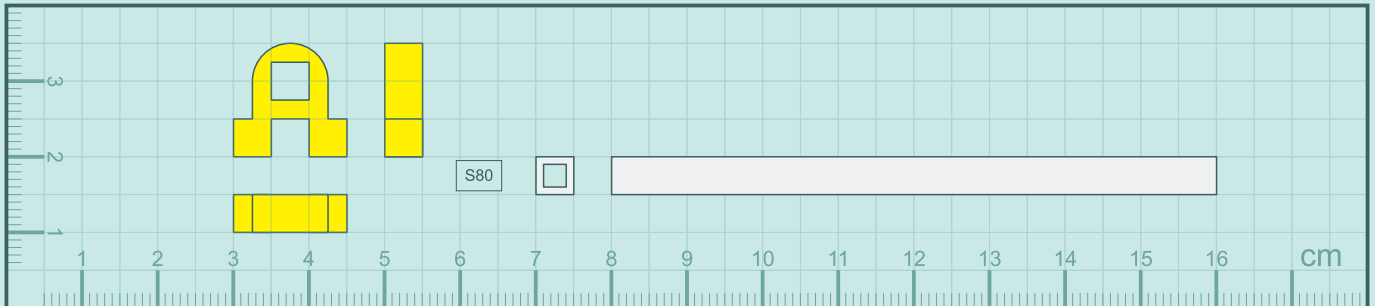
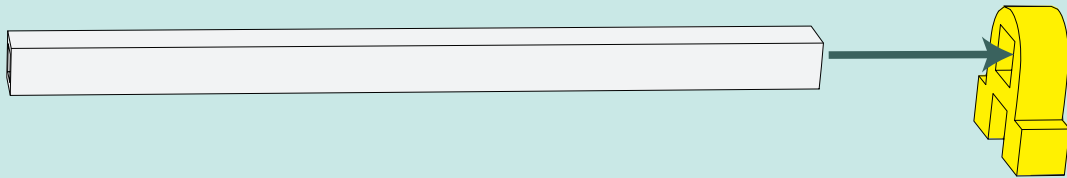
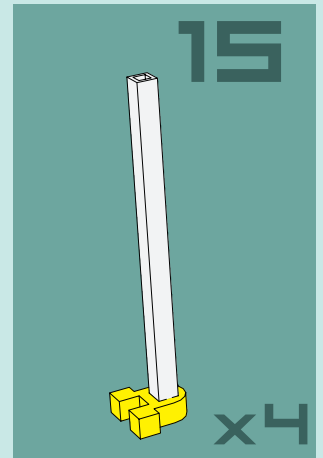
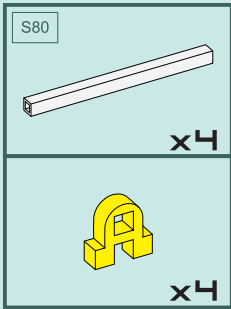


12

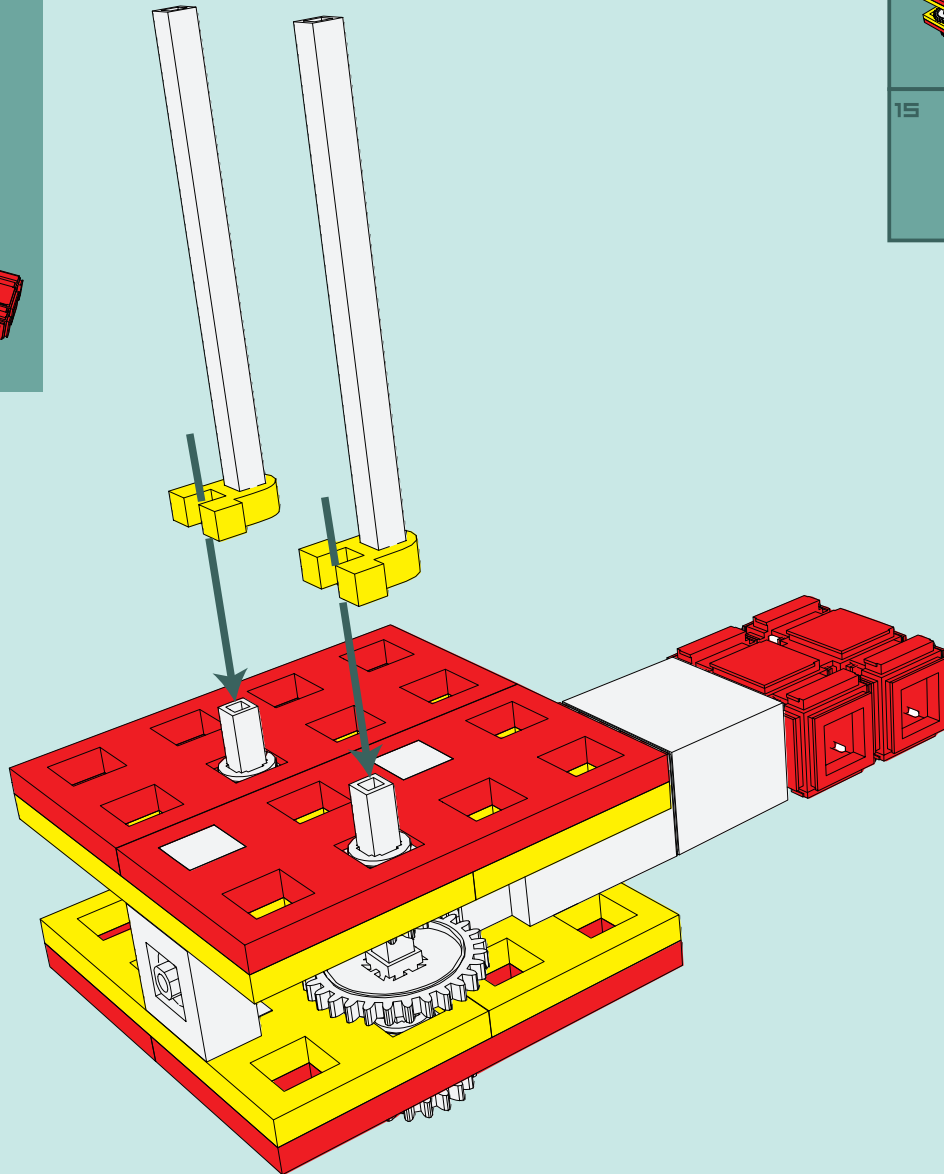
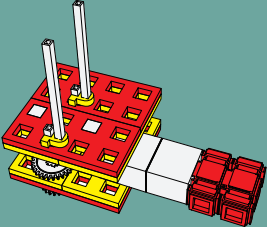


13

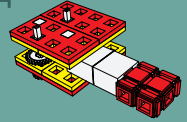




16



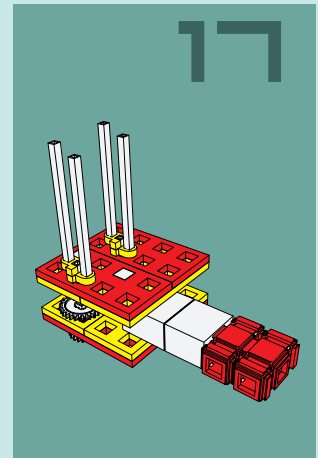
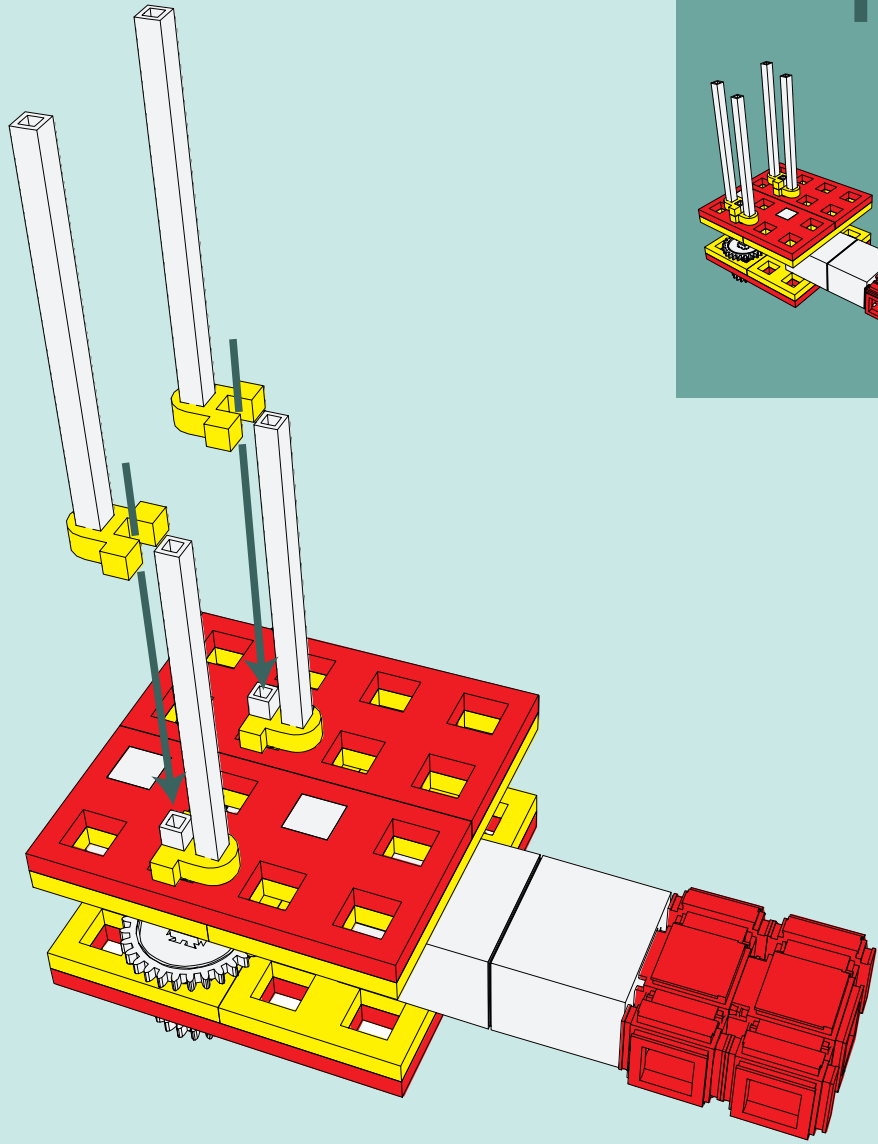
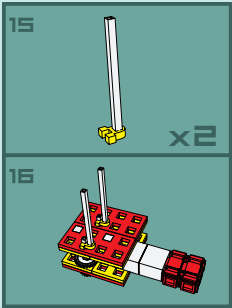
14



15



x2



18

